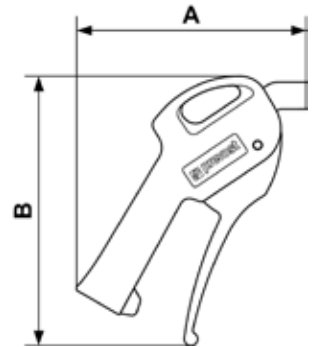


27102 BLOW GUNS

All-purpose blow gun body



Buse Metallic	Max. operating pressure 10	Material Polyamide
-------------------------	--------------------------------------	------------------------------

Part number	Female thread	Dim. A (mm)	Dim. B (mm)
27102 F18	G1/8; G1/4	120	141